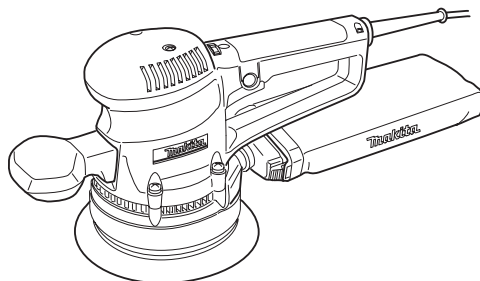




EN	Random Orbit Sander	INSTRUCTION MANUAL	5
RU	Эксцентриковая шлифовальная машина	РУКОВОДСТВО ПО ЭКСПЛУАТАЦИИ	10
KK	Эксцентриктік ажарлағыш машина	ПАЙДАЛАНУ ЖӨНІНДЕГІ НҰСҚАУЛЫҚ	16

## BO6030



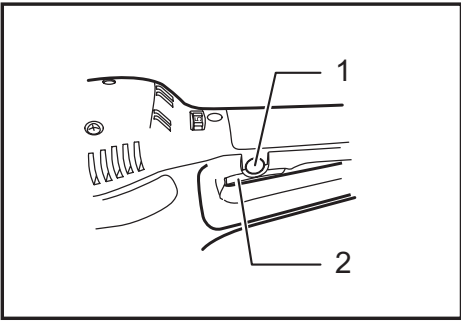


Fig.1

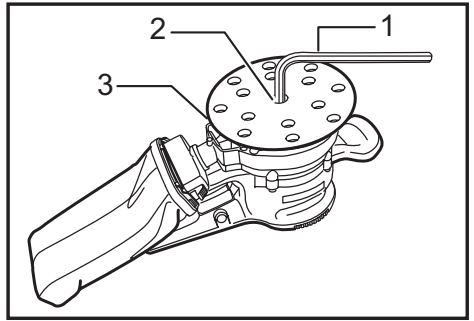


Fig.5

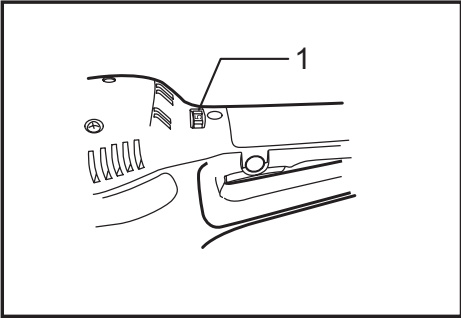


Fig.2

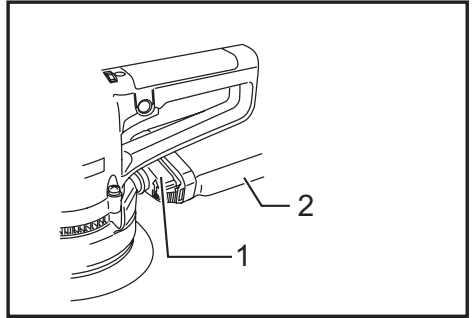


Fig.6

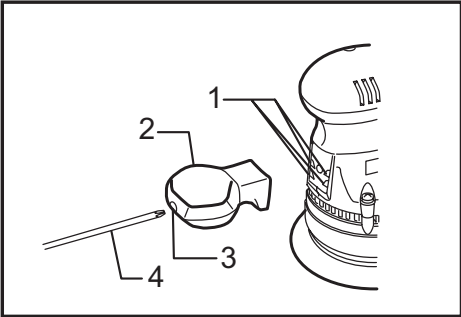


Fig.3

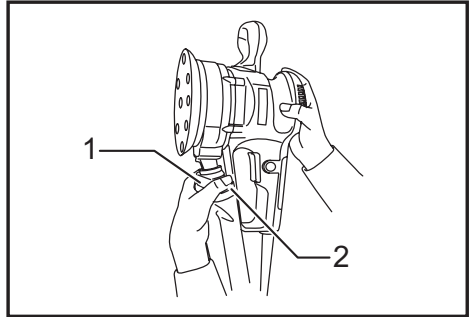


Fig.7

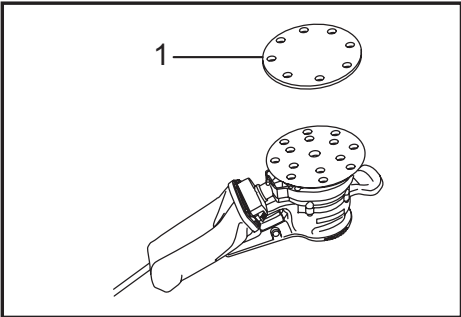


Fig.4

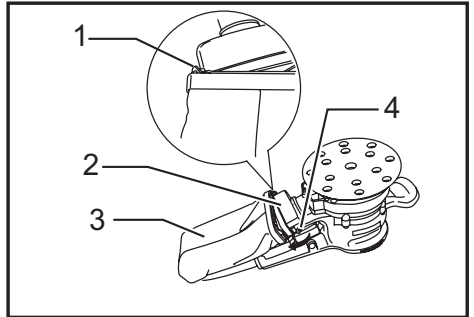


Fig.8

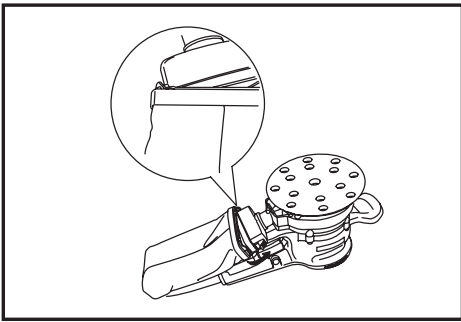


Fig.9

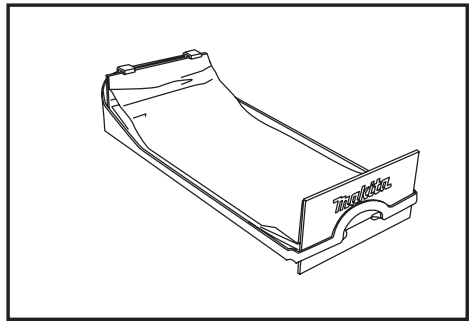


Fig.13

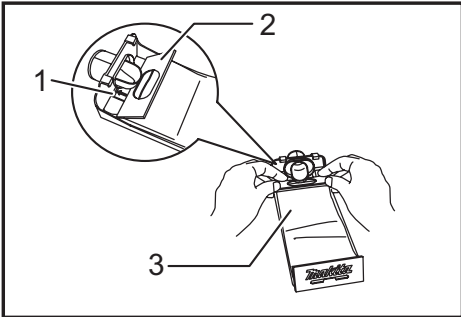


Fig.10

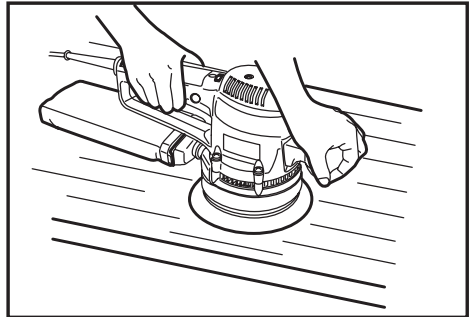


Fig.14

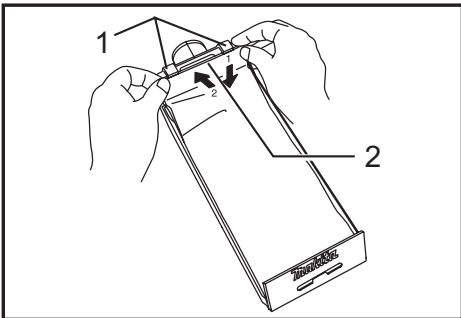


Fig.11

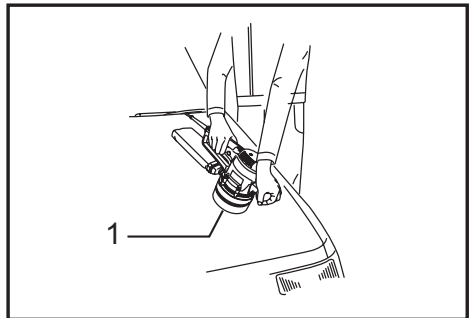


Fig.15

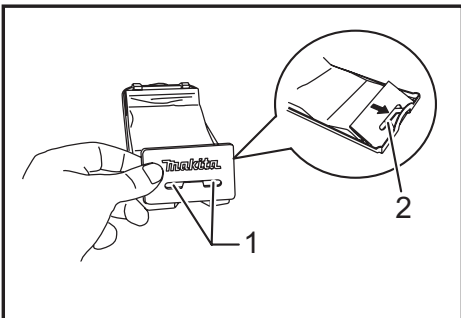


Fig.12

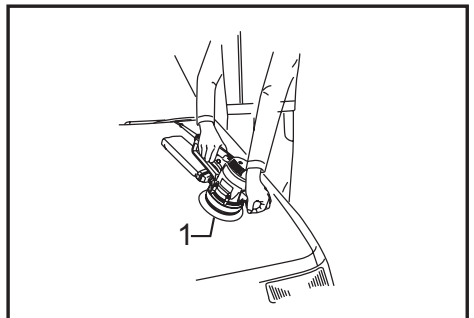


Fig.16

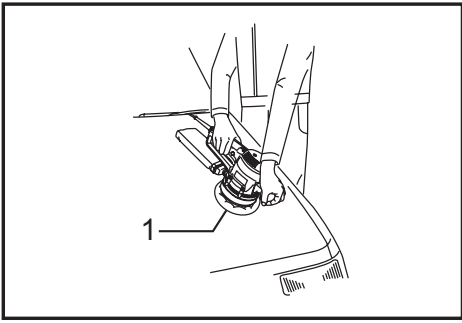


Fig.17




# SPECIFICATIONS

Model	BO6030
Pad diameter	150 mm
Abrasive disc diameter	150 mm
Orbits per minute (min <sup>-1</sup> )	4,000 - 10,000
Sanding stroke rate (min <sup>-1</sup> )	8,000 - 20,000
Overall length	309 mm
Net weight	2.4 kg
Safety class	□/II

- Due to our continuing program of research and development, the specifications herein are subject to change without notice.
- Specifications may differ from country to country.
- Weight according to EPTA-Procedure 01/2014

## Symbols

The following show the symbols used for the equipment. Be sure that you understand their meaning before use.

	Read instruction manual.
	DOUBLE INSULATION
	Only for EU countries Do not dispose of electric equipment together with household waste material! In observance of the European Directive, on Waste Electric and Electronic Equipment and its implementation in accordance with national law, electric equipment that have reached the end of their life must be collected separately and returned to an environmentally compatible recycling facility.

### Intended use

The tool is intended for the sanding of large surface of wood, plastic and metal materials as well as painted surfaces.

### Power supply

The tool should be connected only to a power supply of the same voltage as indicated on the nameplate, and can only be operated on single-phase AC supply. They are double-insulated and can, therefore, also be used from sockets without earth wire.

### Noise

The typical A-weighted noise level determined according to EN62841:

Sound pressure level ( $L_{pA}$ ) : 77 dB (A)

Uncertainty (K) : 3 dB (A)

The noise level under working may exceed 80 dB (A).

**NOTE:** The declared noise emission value(s) has been measured in accordance with a standard test method and may be used for comparing one tool with another.

**NOTE:** The declared noise emission value(s) may also be used in a preliminary assessment of exposure.

**⚠ WARNING:** Wear ear protection.

**⚠ WARNING:** The noise emission during actual use of the power tool can differ from the declared value(s) depending on the ways in which the tool is used especially what kind of workpiece is processed.

**⚠ WARNING:** Be sure to identify safety measures to protect the operator that are based on an estimation of exposure in the actual conditions of use (taking account of all parts of the operating cycle such as the times when the tool is switched off and when it is running idle in addition to the trigger time).

### Vibration

The vibration total value (tri-axial vector sum) determined according to EN62841:

Work mode : sanding metal plate

Vibration emission ( $a_h$ ) : 4.0 m/s<sup>2</sup>

Uncertainty (K) : 1.5 m/s<sup>2</sup>

**NOTE:** The declared vibration total value(s) has been measured in accordance with a standard test method and may be used for comparing one tool with another.

**NOTE:** The declared vibration total value(s) may also be used in a preliminary assessment of exposure.

**⚠ WARNING:** The vibration emission during actual use of the power tool can differ from the declared value(s) depending on the ways in which the tool is used especially what kind of workpiece is processed.

**⚠ WARNING:** Be sure to identify safety measures to protect the operator that are based on an estimation of exposure in the actual conditions of use (taking account of all parts of the operating cycle such as the times when the tool is switched off and when it is running idle in addition to the trigger time).

## EC Declaration of Conformity

### For European countries only

The EC declaration of conformity is included as Annex A to this instruction manual.

## General power tool safety warnings

**⚠ WARNING:** Read all safety warnings, instructions, illustrations and specifications provided with this power tool. Failure to follow all instructions listed below may result in electric shock, fire and/or serious injury.

### Save all warnings and instructions for future reference.

The term "power tool" in the warnings refers to your mains-operated (corded) power tool or battery-operated (cordless) power tool.

#### Work area safety

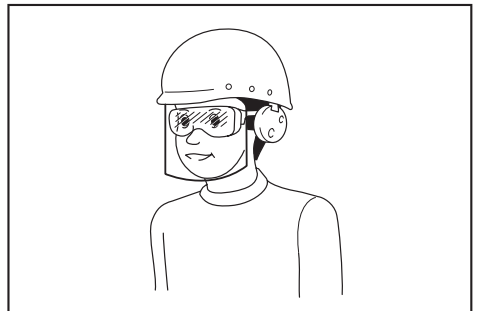
1. **Keep work area clean and well lit.** Cluttered or dark areas invite accidents.
2. **Do not operate power tools in explosive atmospheres, such as in the presence of flammable liquids, gases or dust.** Power tools create sparks which may ignite the dust or fumes.
3. **Keep children and bystanders away while operating a power tool.** Distractions can cause you to lose control.

#### Electrical safety

1. **Power tool plugs must match the outlet. Never modify the plug in any way. Do not use any adapter plugs with earthed (grounded) power tools.** Unmodified plugs and matching outlets will reduce risk of electric shock.
2. **Avoid body contact with earthed or grounded surfaces, such as pipes, radiators, ranges and refrigerators.** There is an increased risk of electric shock if your body is earthed or grounded.
3. **Do not expose power tools to rain or wet conditions.** Water entering a power tool will increase the risk of electric shock.
4. **Do not abuse the cord. Never use the cord for carrying, pulling or unplugging the power tool. Keep cord away from heat, oil, sharp edges or moving parts.** Damaged or entangled cords increase the risk of electric shock.
5. **When operating a power tool outdoors, use an extension cord suitable for outdoor use.** Use of a cord suitable for outdoor use reduces the risk of electric shock.
6. **If operating a power tool in a damp location is unavoidable, use a residual current device (RCD) protected supply.** Use of an RCD reduces the risk of electric shock.
7. **Use of power supply via an RCD with a rated residual current of 30 mA or less is always recommended.**
8. **Power tools can produce electromagnetic fields (EMF) that are not harmful to the user.** However, users of pacemakers and other similar medical devices should contact the maker of their device and/or doctor for advice before operating this power tool.
9. **Do not touch the power plug with wet hands.**
10. **If the cord is damaged, have it replaced by the manufacturer or his agent in order to avoid a safety hazard.**

#### Personal safety

1. **Stay alert, watch what you are doing and use common sense when operating a power tool. Do not use a power tool while you are tired or under the influence of drugs, alcohol or medication.** A moment of inattention while operating power tools may result in serious personal injury.
2. **Use personal protective equipment. Always wear eye protection.** Protective equipment such as a dust mask, non-skid safety shoes, hard hat or hearing protection used for appropriate conditions will reduce personal injuries.
3. **Prevent unintentional starting. Ensure the switch is in the off-position before connecting to power source and/or battery pack, picking up or carrying the tool.** Carrying power tools with your finger on the switch or energising power tools that have the switch on invites accidents.
4. **Remove any adjusting key or wrench before turning the power tool on.** A wrench or a key left attached to a rotating part of the power tool may result in personal injury.
5. **Do not overreach. Keep proper footing and balance at all times.** This enables better control of the power tool in unexpected situations.
6. **Dress properly. Do not wear loose clothing or jewellery. Keep your hair and clothing away from moving parts.** Loose clothes, jewellery or long hair can be caught in moving parts.
7. **If devices are provided for the connection of dust extraction and collection facilities, ensure these are connected and properly used.** Use of dust collection can reduce dust-related hazards.
8. **Do not let familiarity gained from frequent use of tools allow you to become complacent and ignore tool safety principles.** A careless action can cause severe injury within a fraction of a second.
9. **Always wear protective goggles to protect your eyes from injury when using power tools. The goggles must comply with ANSI Z87.1 in the USA, EN 166 in Europe, or AS/NZS 1336 in Australia/New Zealand. In Australia/New Zealand, it is legally required to wear a face shield to protect your face, too.**



It is an employer's responsibility to enforce the use of appropriate safety protective equipments by the tool operators and by other persons in the immediate working area.

## Power tool use and care

1. **Do not force the power tool. Use the correct power tool for your application.** The correct power tool will do the job better and safer at the rate for which it was designed.
2. **Do not use the power tool if the switch does not turn it on and off.** Any power tool that cannot be controlled with the switch is dangerous and must be repaired.
3. **Disconnect the plug from the power source and/or remove the battery pack, if detachable, from the power tool before making any adjustments, changing accessories, or storing power tools.** Such preventive safety measures reduce the risk of starting the power tool accidentally.
4. **Store idle power tools out of the reach of children and do not allow persons unfamiliar with the power tool or these instructions to operate the power tool.** Power tools are dangerous in the hands of untrained users.
5. **Maintain power tools and accessories. Check for misalignment or binding of moving parts, breakage of parts and any other condition that may affect the power tool's operation. If damaged, have the power tool repaired before use.** Many accidents are caused by poorly maintained power tools.
6. **Keep cutting tools sharp and clean.** Properly maintained cutting tools with sharp cutting edges are less likely to bind and are easier to control.
7. **Use the power tool, accessories and tool bits etc. in accordance with these instructions, taking into account the working conditions and the work to be performed.** Use of the power tool for operations different from those intended could result in a hazardous situation.
8. **Keep handles and grasping surfaces dry, clean and free from oil and grease.** Slippery handles and grasping surfaces do not allow for safe handling and control of the tool in unexpected situations.
9. **When using the tool, do not wear cloth work gloves which may be entangled.** The entanglement of cloth work gloves in the moving parts may result in personal injury.

## Service

1. **Have your power tool serviced by a qualified repair person using only identical replacement parts.** This will ensure that the safety of the power tool is maintained.
2. **Follow instruction for lubricating and changing accessories.**

## SANDER SAFETY WARNINGS

1. **Always use safety glasses or goggles. Ordinary eye or sun glasses are NOT safety glasses.**
2. **Hold the tool firmly.**
3. **Do not leave the tool running. Operate the tool only when hand-held.**
4. **This tool has not been waterproofed, so do not use water on the workpiece surface.**
5. **Ventilate your work area adequately when you perform sanding operations.**
6. **Some material contains chemicals which may be toxic. Take caution to prevent dust inhalation and skin contact. Follow material supplier safety data.**
7. **Use of this tool to sand some products, paints and wood could expose user to dust containing hazardous substances. Use appropriate respiratory protection.**

8. **Be sure that there are no cracks or breakage on the pad before use. Cracks or breakage may cause a personal injury.**

## SAVE THESE INSTRUCTIONS.

**⚠WARNING: DO NOT let comfort or familiarity with product (gained from repeated use) replace strict adherence to safety rules for the subject product. MISUSE or failure to follow the safety rules stated in this instruction manual may cause serious personal injury.**

## FUNCTIONAL DESCRIPTION

### ⚠CAUTION:

- Always be sure that the tool is switched off and unplugged before adjusting or checking function on the tool.

### Switch action

- Fig.1: 1. Lock button 2. Switch trigger

### ⚠CAUTION:

- Before plugging in the tool, always check to see that the switch trigger actuates properly and returns to the "OFF" position when released.

To start the tool, simply pull the switch trigger. Release the switch trigger to stop.

For continuous operation, pull the switch trigger and then push in the lock button.

To stop the tool from the locked position, pull the switch trigger fully, then release it.

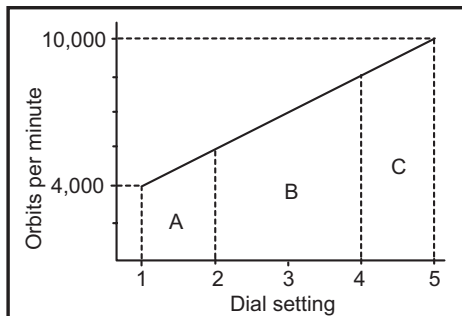
### Speed adjusting dial

- Fig.2: 1. Speed adjusting dial

The rotating speed can be changed by turning the speed adjusting dial to a given number setting from 1 to 5.

Higher speed is obtained when the dial is turned in the direction of number 5. And lower speed is obtained when it is turned in the direction of number 1.

Refer to the table for the relationship between the number settings on the dial and the approximate rotating speed.



A range: For polishing

B range: For finish sanding

C range: For regular sanding

**NOTE:**

- The above figure shows standard applications. They may differ under certain conditions.

## ASSEMBLY

**CAUTION:**

- Always be sure that the tool is switched off and unplugged before carrying out any work on the tool.

### Front grip

- **Fig.3:** 1. Notches 2. Front grip 3. Hole in front grip 4. Screwdriver

Install the front grip on the tool so that its protrusions fit into the matching notches in the front of the tool. Secure the front grip using a screwdriver to tighten the screw through the hole in the front grip.

### Installing or removing abrasive disc

- **Fig.4:** 1. Abrasive disc

**CAUTION:**

- Always use hook-and-loop system abrasive discs. Never use pressure-sensitive abrasive discs.

To install the abrasive disc, first remove all dirt or foreign matter from the pad. Then attach the abrasive disc to the pad, using the hook-and-loop system of the abrasive disc and the pad. Be careful to align the holes in the abrasive disc with those in the pad. To remove the disc from the pad, just pull up from its edge.

### Changing pad

- **Fig.5:** 1. Hex wrench 2. Screw 3. Pad

Makita offers an extensive range of optional pads. Remove the screw counterclockwise from the center of the base with a hex wrench. After changing the pad, tighten the screw clockwise securely.

### Installing dust bag

- **Fig.6:** 1. Dust nozzle 2. Dust bag

Install the dust bag on the tool so that the arrow with "UP" indicated on the dust nozzle points upward.

### Emptying dust bag

- **Fig.7:** 1. Dust nozzle 2. Push button

- **Fig.8:** 1. Hook 2. Dust nozzle 3. Dust bag 4. Push button

When the dust bag is about half full, switch off and unplug the tool. Hold the tool and remove the dust bag from the dust nozzle while pressing the push button. After emptying the dust bag, insert the hook on the dust nozzle into the rectangular hole on one side of the dust bag frame and push up the dust bag frame until it clicks into place on the push button.

- **Fig.9**

## Installing paper dust bag (optional accessory)

- **Fig.10:** 1. Groove 2. Front fixing cardboard 3. Front side of paper dust bag

Place the paper dust bag on the paper dust bag holder with its front side upward. Insert the front fixing cardboard of the paper dust bag into the groove of the paper dust bag holder.

Then press the upper part of the front fixing cardboard in arrow direction to hook it onto the claws.

- **Fig.11:** 1. Claws 2. Upper part

Insert the notch of the paper dust bag into the guide of the paper dust bag holder. Then install the paper dust bag holder set on the tool.

- **Fig.12:** 1. Notch 2. Guide

- **Fig.13**

## OPERATION

### Sanding operation

- **Fig.14**

**CAUTION:**

- Never switch on the tool when it is in contact with the workpiece, it may cause an injury to operator.
- Never run the tool without the abrasive disc. You may seriously damage the pad.
- Never force the tool. Excessive pressure may decrease the sanding efficiency, damage the abrasive disc or shorten tool life.

Hold the tool firmly. Turn the tool on and wait until it attains full speed. Then gently place the tool on the workpiece surface. Keep the pad flush with the workpiece and apply slight pressure on the tool.

### Polishing operation

**CAUTION:**

- Use only a Makita genuine sponge pad, felt pad or wool pad (optional accessories).
- Always operate the tool at low speed to prevent work surfaces from damage/burning.
- Never force the tool. Excessive pressure may decrease the polishing efficiency and cause motor overload, resulting in tool malfunction.

### 1. Applying wax

- **Fig.15:** 1. Sponge pad

Use an optional sponge pad. Apply wax to the sponge pad or work surface. Run the tool at low speed to smooth out wax.

**NOTE:**

- First, wax a non critical portion of the work surface to make sure that the tool will not scratch the surface or result in uneven waxing.



## 2. Removing wax

### ► Fig.16: 1. Felt pad

Use an optional felt pad. Run the tool at low speed to remove wax.

## 3. Polishing

### ► Fig.17: 1. Wool pad

Use an optional wool pad. Run the tool at low speed and apply the wool pad gently to the work surface.

# MAINTENANCE

### **⚠ CAUTION:**

- Always be sure that the tool is switched off and unplugged before attempting to perform inspection or maintenance.
- Never use gasoline, benzine, thinner, alcohol or the like. Discoloration, deformation or cracks may result.

To maintain product SAFETY and RELIABILITY, repairs, carbon brush inspection and replacement, any other maintenance or adjustment should be performed by Makita Authorized Service Centers, always using Makita replacement parts.

# OPTIONAL ACCESSORIES

### **⚠ CAUTION:**

- These accessories or attachments are recommended for use with your Makita tool specified in this manual. The use of any other accessories or attachments might present a risk of injury to persons. Only use accessory or attachment for its stated purpose.

If you need any assistance for more details regarding these accessories, ask your local Makita Service Center.

- Hook-and-loop type abrasive discs (with pre-punched holes)
- Hook-and-loop type sponge pad
- Hook-and-loop type felt pad
- Hook-and-loop type wool pad
- Sanding cloth
- Paper dust bag
- Paper dust bag holder
- Pad 150

### **NOTE:**

- Some items in the list may be included in the tool package as standard accessories. They may differ from country to country.

## ТЕХНИЧЕСКИЕ ХАРАКТЕРИСТИКИ

Модель	BO6030
Диаметр накладки	150 мм
Диаметр абразивного диска	150 мм
Колебаний в минуту (мин <sup>-1</sup> )	4 000 - 10 000
Ударов в минуту при шлифовании (мин <sup>-1</sup> )	8 000 - 20 000
Общая длина	309 мм
Вес нетто	2,4 кг
Класс безопасности	▣/II

- Благодаря нашей постоянно действующей программе исследований и разработок указанные здесь технические характеристики могут быть изменены без предварительного уведомления.
- Технические характеристики могут различаться в зависимости от страны.
- Масса в соответствии с процедурой EPTA 01/2014

### Символы

Ниже приведены символы, используемые для электроинструмента. Перед использованием убедитесь, что вы понимаете их значение.



Прочитайте руководство пользователя.



ДВОЙНАЯ ИЗОЛЯЦИЯ



Только для стран ЕС  
Не утилизируйте данный электроинструмент вместе с бытовыми отходами!  
В рамках соблюдения Европейской Директивы по утилизации электрического и электронного оборудования и ее применения в соответствии с национальным законодательством, электрооборудование в конце срока своей службы должно утилизироваться отдельно и передаваться для его утилизации на предприятии, соответствующее применяемым правилам охраны окружающей среды.

### Назначение

Инструмент предназначен для шлифовки больших поверхностей из древесины, пластмассы и металлических материалов, а также окрашенных поверхностей.

### Питание

Подключайте данный инструмент только к тому источнику питания, напряжение которого соответствует напряжению, указанному на паспортной табличке. Инструмент предназначен для работы от источника однофазного переменного тока. Он имеет двойную изоляцию и поэтому может подключаться к розеткам без заземления.

### Шум

Типичный уровень взвешенного звукового давления (A), измеренный в соответствии с EN62841:

Уровень звукового давления (L<sub>рA</sub>): 77 дБ (A)

Погрешность (K): 3 дБ (A)

Уровень шума при выполнении работ может превышать 80 дБ (A).

**ПРИМЕЧАНИЕ:** Заявленное значение распространения шума измерено в соответствии со стандартной методикой испытаний и может быть использовано для сравнения инструментов.

**ПРИМЕЧАНИЕ:** Заявленное значение распространения шума можно также использовать для предварительных оценок воздействия.

**▲ОСТОРОЖНО:** Используйте средства защиты слуха.

**▲ОСТОРОЖНО:** Распространение шума во время фактического использования электроинструмента может отличаться от заявленного значения в зависимости от способа применения инструмента и в особенности от типа обрабатываемой детали.

**▲ОСТОРОЖНО:** Обязательно определите меры безопасности для защиты оператора, основанные на оценке воздействия в реальных условиях использования (с учетом всех этапов рабочего цикла, таких как выключение инструмента, работа без нагрузки и включение).

### Вибрация

Суммарное значение вибрации (сумма векторов по трем осям) определяется по следующим параметрам EN62841:

Рабочий режим: шлифовка металлических пластин

Распространение вибрации (a<sub>h</sub>): 4,0 м/с<sup>2</sup>

Погрешность (K): 1,5 м/с<sup>2</sup>

**ПРИМЕЧАНИЕ:** Заявленное общее значение распространения вибрации измерено в соответствии со стандартной методикой испытаний и может быть использовано для сравнения инструментов.

**ПРИМЕЧАНИЕ:** Заявленное общее значение распространения вибрации можно также использовать для предварительных оценок воздействия.

**⚠ОСТОРОЖНО:** Распространение вибрации во время фактического использования электроинструмента может отличаться от заявленного значения в зависимости от способа применения инструмента и в особенности от типа обрабатываемой детали.

**⚠ОСТОРОЖНО:** Обязательно определите меры безопасности для защиты оператора, основанные на оценке воздействия в реальных условиях использования (с учетом всех этапов рабочего цикла, таких как выключение инструмента, работа без нагрузки и включение).

## Декларация о соответствии ЕС

### Только для европейских стран

Декларация о соответствии ЕС включена в руководство по эксплуатации (Приложение А).

## Общие рекомендации по технике безопасности для электроинструментов

**⚠ОСТОРОЖНО:** Ознакомьтесь со всеми предостереженными инструкциями по технике безопасности, указаниями, иллюстрациями и техническими характеристиками, прилагаемыми к данному электроинструменту. Несоблюдение каких-либо инструкций, указанных ниже, может привести к поражению электрическим током, пожару и/или серьезной травме.

## Сохраните брошюру с инструкциями и рекомендациями для дальнейшего использования.

Термин "электроинструмент" в предупреждениях относится ко всему инструменту, работающему от сети (с проводом) или на аккумуляторах (без провода).

### Безопасность в месте выполнения работ

1. Рабочее место должно быть чистым и хорошо освещенным. Захламление и плохое освещение могут стать причиной несчастных случаев.
2. Не пользуйтесь электроинструментом во взрывоопасной атмосфере, например в присутствии легко воспламеняющихся жидкостей, газов или пыли. При работе электроинструмента возникают искры, которые могут привести к воспламенению пыли или газов.
3. При работе с электроинструментом не допускайте детей или посторонних к месту выполнения работ. Не отвлекайтесь во время работы, так как это приведет к потере контроля над электроинструментом.

### Электробезопасность

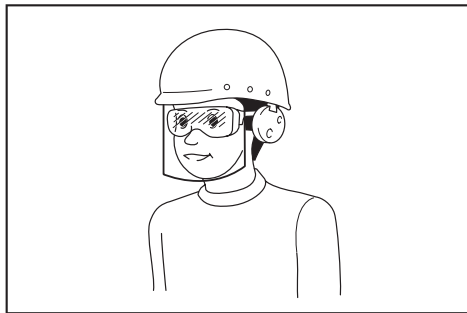
1. Вилка электроинструмента должна соответствовать сетевой розетке. Запрещается вносить какие-либо изменения в конструкцию вилки. Для электроинструмента с заземлением запрещается использовать переходники. Розетки и вилки, не подвергавшиеся изменениям, снижают риск поражения электрическим током.

2. Избегайте контакта участков тела с заземленными поверхностями, такими как трубы, радиаторы, батареи отопления и холодильники. При контакте тела с заземленными предметами увеличивается риск поражения электрическим током.
3. Не подвергайте электроинструмент воздействию дождя или влаги. Попадание воды в электроинструмент повышает риск поражения электрическим током.
4. Аккуратно обращайтесь со шнуром питания. Запрещается использовать шнур питания для переноски, перемещения или извлечения вилки из розетки. Располагайте шнур на расстоянии от источников тепла, масла, острых краев и движущихся деталей. Поврежденные или запутанные сетевые шнуры увеличивают риск поражения электрическим током.
5. При использовании электроинструмента вне помещения используйте удлинитель, подходящий для этих целей. Использование соответствующего шнура снижает риск поражения электрическим током.
6. Если электроинструмент приходится эксплуатировать в сыром месте, используйте линию электропитания, которая защищена устройством, срабатывающим от остаточного тока (RCD). Использование RCD снижает риск поражения электротоком.
7. Рекомендуется использовать питание через RCD с номинальным остаточным током 30 мА или менее.
8. Электроинструмент может создавать электромагнитные поля (EMF), которые не представляют опасности для пользователя. Однако пользователям с кардиостимуляторами и другими аналогичными медицинскими устройствами следует обратиться к производителю устройства и/или врачу перед началом эксплуатации инструмента.
9. Не прикасайтесь к разъему электропитания мокрыми руками.
10. Во избежание угрозы безопасности, в случае повреждения кабеля его необходимо заменить в мастерской изготовителя.

### Личная безопасность

1. При использовании электроинструмента будьте бдительны, следите за тем, что вы делаете, и руководствуйтесь здравым смыслом. Не пользуйтесь электроинструментом, если вы устали, находитесь под воздействием наркотиков, алкоголя или лекарственных препаратов. Даже мгновенная невнимательность при использовании электроинструмента может привести к серьезной травме.
2. Используйте индивидуальные средства защиты. Всегда надевайте защитные очки. Такие средства индивидуальной защиты, как маска от пыли, защитная нескользящая обувь, каска или наушники, используемые в соответствующих условиях, позволяют снизить риск получения травмы.

3. Не допускайте случайного запуска. Прежде чем подсоединять инструмент к источнику питания и/или аккумуляторной батарее, поднимать или переносить инструмент, убедитесь, что переключатель находится в выключенном положении. Переноска электроинструмента с пальцем на выключателе или подача питания на инструмент с включенным выключателем может привести к несчастному случаю.
4. Перед включением электроинструмента снимите с него все регулировочные инструменты и гаечные ключи. Гаечный или регулировочный ключ, оставшийся закрепленным на вращающейся детали, может привести к травме.
5. При эксплуатации устройства не тянитесь. Всегда сохраняйте устойчивое положение и равновесие. Это позволит лучше управлять электроинструментом в непредвиденных ситуациях.
6. Одевайтесь соответствующим образом. Не надевайте свободную одежду или украшения. Ваши волосы и одежда должны всегда находиться на расстоянии от движущихся деталей. Свободная одежда, украшения или длинные волосы могут попасть в движущиеся детали устройства.
7. Если электроинструмент оборудован системой удаления и сбора пыли, убедитесь, что она подключена и используется соответствующим образом. Использование пылесборника снижает вероятность возникновения рисков, связанных с пылью.
8. Не переоценивайте свои возможности и не пренебрегайте правилами техники безопасности, даже если вы часто работаете с инструментом. Небрежное обращение с инструментом может стать причиной серьезной травмы за доли секунды.
9. Во время работы с электроинструментом всегда надевайте защитные очки. Очки должны соответствовать ANSI Z87.1 для США, EN 166 для Европы, или AS/NZS 1336 для Австралии и Новой Зеландии. В Австралии и Новой Зеландии оператор также обязан носить защитную маску.



Ответственность за использование средств защиты операторами и другим персоналом вблизи рабочей зоны возлагается на работодателя.

## Эксплуатация и обслуживание электроинструмента

1. Не прилагайте излишних усилий к электроинструменту. Используйте инструмент, соответствующий выполняемой вами работе. Правильно подобранный электроинструмент позволит выполнить работу лучше и безопаснее с производительностью, на которую он рассчитан.
2. Не пользуйтесь электроинструментом с неисправным выключателем. Любой электроинструмент с неисправным выключателем опасен и должен быть отремонтирован.
3. Перед выполнением регулировок, сменой принадлежностей или хранением электроинструмента всегда отключайте его от источника питания и/или от аккумулятора или снимайте аккумулятор, если он является съемным. Такие превентивные меры предосторожности снижают риск случайного включения электроинструмента.
4. Храните электроинструменты в местах, недоступных для детей, и не позволяйте лицам, не знакомым с работой такого инструмента или не прочитавшим данные инструкции, пользоваться им. Электроинструмент опасен в руках неопытных пользователей.
5. Поддерживайте электроинструмент и дополнительные принадлежности в надлежащем состоянии. Убедитесь в соосности, отсутствии деформаций движущихся узлов, поломок каких-либо деталей или других дефектов, которые могут повлиять на работу электроинструмента. Если инструмент поврежден, отремонтируйте его перед использованием. Большое число несчастных случаев происходит из-за плохого ухода за электроинструментом.
6. Режущий инструмент всегда должен быть острым и чистым. Соответствующее обращение с режущим инструментом, имеющим острые режущие кромки, делает его менее подверженным деформациям, что позволяет лучше управлять им.
7. Используйте электроинструмент, принадлежности, приспособления и насадки в соответствии с данными инструкциями и в целях, для которых он предназначен, учитывая при этом условия и вид выполняемой работы. Использование электроинструмента не по назначению может привести к возникновению опасной ситуации.
8. Рукоятки инструмента и специальные изолированные поверхности всегда должны быть сухими и чистыми и не содержать следов масла или смазки. Скользкие рукоятки и специальные поверхности препятствуют соблюдению рекомендаций по технике безопасности в экстренных ситуациях.
9. При использовании инструмента не надевайте рабочие перчатки, ткань которых инструмент может затянуть. Затягивание ткани рабочих перчаток в движущиеся части инструмента может привести к травме.

## Сервисное обслуживание

1. Сервисное обслуживание электроинструмента должно проводиться только квалифицированным специалистом по ремонту и только с использованием идентичных запасных частей. Это позволит обеспечить безопасность электроинструмента.
2. Следуйте инструкциям по смазке и замене принадлежностей.

## МЕРЫ БЕЗОПАСНОСТИ ПРИ ИСПОЛЬЗОВАНИИ ШЛИФОВАЛЬНОГО УСТРОЙСТВА

1. Всегда надевайте защитные очки или защитную маску для лица. Обычные или солнцезащитные очки НЕ ЯВЛЯЮТСЯ защитными очками.
2. Крепко держите инструмент.
3. Не оставляйте работающий инструмент без присмотра. Включайте инструмент только тогда, когда он находится в руках.
4. Данный инструмент не является водонепроницаемым, поэтому не следует использовать воду на поверхности обрабатываемой детали.
5. При выполнении шлифовки обеспечьте хорошую вентиляцию места работ.
6. Некоторые материалы могут содержать токсичные химические вещества. Примите соответствующие меры предосторожности, чтобы избежать вдыхания или контакта с кожей таких веществ. Соблюдайте требования, указанные в паспорте безопасности материала.
7. Использование данного инструмента для шлифовки некоторых материалов, краски и древесины может привести к воздействию на пользователя пыли, содержащей опасные вещества. Используйте соответствующие средства защиты дыхания.
8. Перед использованием убедитесь, в отсутствии трещин или разломов в платформе. Трещины или разломы могут привести к травме.

## СОХРАНИТЕ ДАННЫЕ ИНСТРУКЦИИ.

**▲ОСТОРОЖНО:** НЕ ДОПУСКАЙТЕ, чтобы удобство или опыт эксплуатации данного устройства (полученный от многократного использования) доминировали над строгим соблюдением правил техники безопасности при обращении с этим устройством. **НЕПРАВИЛЬНОЕ ИСПОЛЬЗОВАНИЕ** инструмента или несоблюдение правил техники безопасности, указанных в данном руководстве, может привести к тяжелой травме.

## ОПИСАНИЕ ФУНКЦИОНИРОВАНИЯ

### ▲ВНИМАНИЕ:

- Перед проведением регулировки или проверки работы инструмента всегда проверяйте, что инструмент выключен, а шнур питания вынут из розетки.

## Действие выключателя

- **Рис.1:** 1. Кнопка блокировки 2. Курковый выключатель

### ▲ВНИМАНИЕ:

- Перед включением инструмента в розетку, всегда проверяйте, что триггерный переключатель работает надлежащим образом и возвращается в положение "ВЫКЛ", если его отпустить.

Для запуска инструмента просто нажмите на триггерный переключатель. Отпустите триггерный переключатель для остановки.

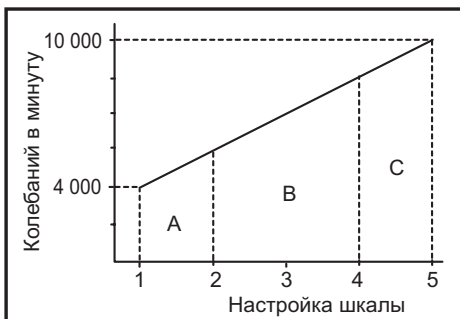
При непрерывной эксплуатации, нажмите на триггерный переключатель, затем нажмите кнопку блокировки.

Для остановки инструмента из заблокированного положения, полностью нажмите триггерный переключатель, затем отпустите его.

## Диск регулировки скорости

- **Рис.2:** 1. Поворотный регулятор скорости

Скорость вращения можно изменять путем поворота диска регулировки скорости на заданную цифру, от 1 до 5. Наибольшая скорость достигается при повороте диска в направлении цифры 5. А самая низкая скорость достигается при повороте диска в направлении цифры 1. Соотношение между цифровым значением на диске и примерной скоростью вращения указано в таблице.



Диапазон А: Для полировки

Диапазон В: Для окончательной шлифовки

Диапазон С: Для обычной шлифовки

### ПРИМЕЧАНИЕ:

- Вышеуказанные цифры относятся к стандартному использованию. При определенных условиях они могут отличаться.

## МОНТАЖ

### ⚠ ВНИМАНИЕ:

- Перед проведением каких-либо работ с инструментом всегда проверяйте, что инструмент выключен, а шнур питания вынут из розетки.

### Передняя рукоятка

- **Рис.3:** 1. Выемки 2. Передняя рукоятка  
3. Отверстие в передней рукоятке  
4. Отвертка

Установите переднюю рукоятку на инструмент так, чтобы ее выступы вошли в соответствующие пазы в передней части инструмента. Закрепите переднюю рукоятку с помощью отвертки, затянув винт в отверстии в передней рукоятке.

### Установка или снятие абразивного диска

- **Рис.4:** 1. Абразивный диск

### ⚠ ВНИМАНИЕ:

- Всегда пользуйтесь абразивными дисками с креплением типа «липучка». Никогда не используйте абразивные диски, чувствительные к давлению.

Для установки абразивного диска сначала очистите опорную пластину от всех загрязнений. Затем прикрепите абразивный диск к опорной пластине с помощью крепления типа «липучка» абразивного диска и опорной пластины. Обязательно совместите отверстия в абразивном диске с отверстиями в опорной пластине.

Для снятия диска с опорной пластины просто потяните его вверх с края диска.

### Замена опорной пластины

- **Рис.5:** 1. Шестигранный ключ 2. Винт 3. Опорная пластина

Компания Makita предлагает широкий выбор опциональных шлифовальных фланцев. С помощью шестигранного ключа выверните винт в центре основания против часовой стрелки. Заменяв фланец, надежно затяните винт по часовой стрелке.

### Установка мешка для пыли

- **Рис.6:** 1. Пылесборный патрубок 2. Мешок для пыли

Установите мешок для пыли на инструмент таким образом, чтобы стрелка "ВВЕРХ" на пылесборном патрубке указывала вверх.

## Очистка мешка для пыли

- **Рис.7:** 1. Пылесборный патрубок 2. Кнопка

- **Рис.8:** 1. Крючок 2. Пылесборный патрубок  
3. Мешок для пыли 4. Кнопка

Когда мешок для пыли будет наполовину заполнен, отключите инструмент и выньте штекер из розетки питания. Возьмитесь за инструмент и снимите мешок для пыли с пылесборного патрубка, нажимая на кнопку. После очистки мешка для пыли, вставьте крючок на пылесборном патрубке в квадратное отверстие на одной стороне рамы мешка для пыли и надавите на раму мешка для пыли до щелчка на месте на кнопке.

- **Рис.9**

### Установка мешка для бумажной пыли (дополнительная принадлежность)

- **Рис.10:** 1. Паз 2. Передний фиксирующий картон  
3. Передняя часть бумажного мешка для пыли

Вставьте мешок для бумажной пыли в держатель мешка для бумажной пыли передней стороной вверх. Вставьте передний фиксирующий картон мешка для бумажной пыли в выемку держателя мешка для бумажной пыли.

Затем надавите на верхнюю часть переднего фиксирующего картона в направлении стрелки, чтобы надеть его на захваты.

- **Рис.11:** 1. Захваты 2. Верхняя часть

Вставьте выемку мешка для бумажной пыли в направляющую держателя мешка для бумажной пыли. Затем установите держатель мешка для бумажной пыли на инструмент.

- **Рис.12:** 1. Выемка 2. Направляющая

- **Рис.13**

## ЭКСПЛУАТАЦИЯ

### Шлифование

- **Рис.14**

### ⚠ ВНИМАНИЕ:

- Никогда не включайте инструмент, если он касается обрабатываемого изделия. Это может стать причиной травмы оператора.
- Никогда не включайте инструмент без абразивного диска. Вы можете серьезно повредить площадку.
- Никогда не прилагайте к инструменту усилий. Чрезмерное давление может снизить эффективность шлифовки, повредить абразивный диск или сократить срок службы инструмента.

Крепко держите инструмент. Включите инструмент и подождите, пока он наберет полную скорость. После этого мягко коснитесь инструментом поверхности обрабатываемой детали. Держите опорную пластину заподлицо с обрабатываемой деталью и прилагайте небольшое давление к инструменту.

## Операция полирования

### **⚠ ВНИМАНИЕ:**

- Пользуйтесь только оригинальной губчатой, войлочной или шерстяной опорной пластиной Makita (дополнительные принадлежности).
- Всегда работайте с инструментом на низкой скорости для предотвращения повреждения/сжигания обрабатываемых поверхностей.
- Никогда не прикладывайте к инструменту усилий. Чрезмерное давление может снизить эффективность полировки и привести к перегреву двигателя, в результате чего инструмент может испортиться.

## 1. Нанесение воска

### ► Рис.15: 1. Губчатая подушка

Используйте дополнительную губчатую опорную пластину. Нанесите воск на губчатую пластину или обрабатываемую поверхность. Включите инструмент на низкой скорости для разглаживания воска.

### **ПРИМЕЧАНИЕ:**

- Сначала обработайте некритичную часть обрабатываемой поверхности, чтобы убедиться, что инструмент не поцарапает поверхность или не приведет к неравномерному нанесению воска.

## 2. Удаление воска

### ► Рис.16: 1. Войлочная подушка

Используйте дополнительную войлочную опорную пластину. Включите инструмент на низкой скорости для удаления воска.

## 3. Полировка

### ► Рис.17: 1. Шерстяная подушка

Используйте дополнительную шерстяную опорную пластину. Включите инструмент на низкой скорости, и осторожно прикладывайте шерстяную опорную пластину к обрабатываемой поверхности.

## ТЕХОБСЛУЖИВАНИЕ

### **⚠ ВНИМАНИЕ:**

- Перед проверкой или проведением техобслуживания убедитесь, что инструмент выключен, а штекер отсоединен от розетки.
- Запрещается использовать бензин, лигроин, растворитель, спирт и т.п. Это может привести к изменению цвета, деформации и появлению трещин.

Для обеспечения БЕЗОПАСНОСТИ и НАДЕЖНОСТИ изделия ремонт, проверка и замена угольных щеток и любые другие работы по техобслуживанию или регулировке должны осуществляться в уполномоченных сервис-центрах Makita с использованием запасных частей только производства компании Makita.

## ДОПОЛНИТЕЛЬНЫЕ ПРИНАДЛЕЖНОСТИ

### **⚠ ВНИМАНИЕ:**

- Эти принадлежности или насадки рекомендуется использовать вместе с вашим инструментом Makita, описанным в данном руководстве. Использование каких-либо других принадлежностей или насадок может представлять опасность получения травм. Используйте принадлежность или насадку только по указанному назначению.

Если вам необходимо содействие в получении дополнительной информации по этим принадлежностям, свяжитесь со своим местным сервис-центром Makita.

- Абразивные диски с креплением типа «липучка» (с предварительной перфорацией)
- Губчатая опорная пластина с креплением типа «липучка»
- Войлочная опорная пластина с креплением типа «липучка»
- Шерстяная опорная пластина с креплением типа «липучка»
- Шлифовальная ткань
- Мешок для бумажной пыли
- Держатель мешка для бумажной пыли
- Шлифовальный фланец 150

### **ПРИМЕЧАНИЕ:**

- Некоторые элементы списка могут входить в комплект инструмента в качестве стандартных приспособлений. Они могут отличаться в зависимости от страны.

## ТЕХНИКАЛЫҚ СИПАТТАМАЛАРЫ

Үлгісі	BO6030
Төсем диаметрі	150 мм
Ысқыш диск диаметрі	150 мм
Бір минуттағы айналымдар саны (мин <sup>-1</sup> )	4 000 - 10 000
Ажарлау жүрiсiнiң жиiлiгi (мин <sup>-1</sup> )	8 000 - 20 000
Жалпы ұзындығы	309 мм
Таза салмағы	2,4 кг
Қауіпсіздік класы	II

- Зерттеу мен әзірлеудің үздіксіз бағдарламасына байланысты осы құжаттағы техникалық сипаттамалар ескертусіз өзгертілуі мүмкін.
- Техникалық сипаттамалары әр елде әр түрлі болуы мүмкін.
- Салмағы EPTA-Procedure 01/2014 стандартына сәйкес

### Белгілер

Төменде жабдықта пайдаланылған белгілер көрсетілген. Қолданар алдында олардың мағынасын түсініп алыңыз.



Пайдалану жөніндегі нұсқаулықты оқып шығыңыз.



ҚОС ҚАБАТТЫ ОҚШАУЛАУ



Тек ЕО елдері үшін  
Электрлік жабдықты тұрмыстық қалдықтармен бірге тастамаңыз!  
Электрлік және электрондық жабдықты қоқысқа тастау бойынша Еуропалық директиваның шарттары бойынша, қызметтік мерзімі аяқталған электрлік жабдық бөлек жиналып, экологиялық тұрғыдан қауіпсіз утилизация пунктіне қайтарулы тиіс.

### Қолдану мақсаты

Құрал ағаш, пластмасса және металл материалдардың көлемді беттерін, сондай-ақ боялған беттерді ажарлауға арналған.

### Қуат көзі

Құрал паспорттық деректері бар фирмалық тақтайшада көрсетілген кернеумен бірдей қуат көзіне қосылуы керек және тек бір фазалы АТ көзімен жұмыс істейді. Оның қос қабатты оқшауламасы бар болғандықтан, жерге тұйықталмаған розеткаларды пайдалануға болады.

### Шу

Шу EN62841 стандартына сай анықталған стандартты А қысығы бойынша өлшенген шу деңгейі: Дыбыс қысымының деңгейі ( $L_{pA}$ ): 77 дБА  
Дәлсіздігі (K): 3 дБА

Жұмыс кезінде шу деңгейі 80 дБА шамасынан асып кетуі мүмкін.

**ЕСКЕРТПЕ:** Шудың жарияланған таралу мән(дер) і стандартты сынау әдісіне сәйкес өлшенген және оны бір құралды екінші құралмен салыстыру үшін пайдалануға болады.

**ЕСКЕРТПЕ:** Жарияланған шуды сондай-ақ әсерді алдын ала бағалау үшін пайдалануға болады.

**⚠ЕСКЕРТУ:** Қорғаныс құлаққабын киіңіз.

**⚠ЕСКЕРТУ:** Электрлік құралды іс жүзінде пайдалану кезіндегі шудың таралу мөні құралдың пайдалану әдісіне, әсіресе қандай дайындама өңделгеніне байланысты жарияланған мәнінен өзгеше болуы мүмкін.

**⚠ЕСКЕРТУ:** Іс жүзінде пайдалану кезіндегі әсерді бағалау негізінде операторды қорғау үшін қауіпсіздік шараларын анықтаңыз (құралдың өшірілген уақыты және бос жүріс уақытын қоса алғанда, іске қосылу уақыты сияқты барлық жұмыс циклдерін ескеру керек).

### Діріл

EN62841 стандартына сәйкес анықталған дірілдің жалпы мөні (үш осьтік векторлық сомасы):

Жұмыс режимі: металл табақшаны ажарлау  
Дірілдің таралуы ( $a_n$ ): 4,0 м/с<sup>2</sup>  
Дәлсіздік (K): 1,5 м/с<sup>2</sup>

**ЕСКЕРТПЕ:** Дірілдің жарияланған жалпы мән(дер) і стандартты сынау әдісіне сәйкес өлшенген және оны бір құралды екінші құралмен салыстыру үшін пайдалануға болады.

**ЕСКЕРТПЕ:** Сондай-ақ дірілдің жарияланған жалпы мән(дер)ін әсерді алдын ала бағалау үшін пайдалануға болады.

**⚠ЕСКЕРТУ:** Электрлік құралды іс жүзінде пайдалану кезіндегі дірілдің мөні құралдың пайдалану әдісіне, әсіресе қандай дайындама өңделгеніне байланысты жарияланған мән(дер)інен өзгеше болуы мүмкін.

**⚠ЕСКЕРТУ:** Іс жүзінде пайдалану кезіндегі әсерді бағалау негізінде операторды қорғау үшін қауіпсіздік шараларын анықтаңыз (құралдың өшірілген уақыты және бос жүріс уақытын қоса алғанда, іске қосылу уақыты сияқты барлық жұмыс циклдерін ескеру керек).



## ЕС сәйкестік декларациясы

### Тек Еуропа елдеріне арналған

ЕС сәйкестік декларациясы осы пайдалану жөніндегі нұсқаулықтың А қосымшасы ретінде қосылған.

## Электрлік құралдың жалпы қауіпсіздік ескертулері

**⚠️ЕСКЕРТУ:** Осы электрлік құралмен бірге берілген қауіпсіздік ескертулерін, нұсқауларды, суреттерді және техникалық сипаттамаларды оқып шығыңыз. Төменде берілген барлық нұсқауды орындамаған жағдайда, электр тогының соғуы, өрт шығуы және/немесе ауыр жарақат алуға себеп болуы мүмкін.

## Алдағы уақытта қолдану үшін барлық ескерту мен нұсқауды сақтап қойыңыз.

Ескертулердегі “электрлік құрал” термині қуат көзінен жұмыс істейтін (сымды) электрлік құралды немесе аккумулятормен жұмыс істейтін (сымсыз) электрлік құралды білдіреді.

### Жұмыс аймағындағы қауіпсіздік

- Жұмыс аймағы таза әрі жарық болуы керек.** Лас немесе қараңғы аймақтарда жазатайым оқиғалар туындауы мүмкін.
- Электрлік құралды айналсыннда тез тұтанатын сұйықтық, газ немесе шаң сияқты заттардан тұратын жарылыс қаупі бар орталарда пайдаланбаңыз.** Электрлік құралдар шаң немесе газды тұтандыратын электр ұшқындарын шығарады.
- Электрлік құралды пайдаланған кезде, балалар және бөгде адамдар алшақ жүруі керек.** Басқа нәрсеге алаңдаспаңыз, құралға ие бола алмай қалуыңыз мүмкін.

### Электрлік қауіпсіздік

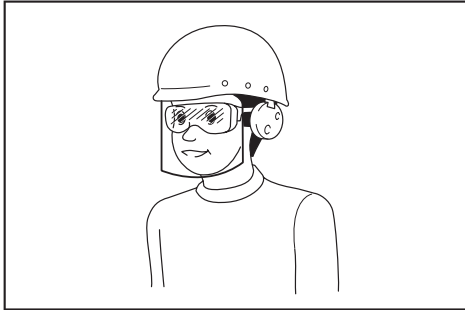
- Электрлік құралдың ашасы розеткаға сәйкес келуі керек.** Ашаны ешбір жағдайда өзгертпеңіз. Адаптер ашаларын жерге тұйықталған электрлік құралдармен пайдаланбаңыз. Өзгертілмеген ашалар мен сәйкес келетін розеткалар электр тогының соғу қаупін азайтады.
- Түтіктер, радиаторлар, жылу батареялары және тоңазытқыштар сияқты жерге тұйықталған бұйымдарды ұстамаңыз.** Егер денеңіз жерге тұйықталатын болса, ток соғу қаупі жоғары болады.
- Электрлік құралдарды жаңбырдың астына немесе ылғалды жерлерге қоймаңыз.** Электрлік құралға су кіретін болса, ток соғу қаупі артады.
- Қуат сымын мұқият пайдаланыңыз.** Электрлік құралды тасу, тарту немесе қуат көзінен ажырату үшін қуат сымын пайдалануға болмайды. Қуат сымына ыстық зат, май, өткір жиек немесе қозғалмалы бөлшектер тимеуі керек. Зақымдалған немесе оралған қуат сымдары ток соғу қаупін арттырады.
- Электрлік құралды сыртта пайдаланғанда, сыртта қолдануға жарамды ұзартқышты қолданыңыз.** Сыртта қолдануға жарамды шнурды пайдалану ток соғу қаупін азайтады.

- Егер электрлік құралды ылғалды жерде пайдалану керек болса, қорғаныстық ажырату құрылғысын (RCD) пайдаланыңыз.** Қорғаныстық ажырату құрылғысын пайдалану ток соғу қаупін азайтады.
- Электр қуатын әрдайым 30 мА немесе одан кем номиналды дифференциалды тоғы бар қорғаныстық ажырату құрылғысы (RCB) арқылы пайдалану ұсынылады.**
- Электрлік құралдар электромагниттік өрістер шығарады, ол пайдаланушыға қауіпті емес.** Дегенмен электрокардиостимулятор және соған ұқсас басқа медициналық құрылғылардың пайдаланушылары электрлік құралды пайдаланбас бұрын, өндірушімен және/немесе дәрігермен кеңесуі керек.
- Қуат ашасын су қолыңызбен ұстамаңыз.**
- Егер сымы зақымдалған болса, қауіптен сақтану үшін оны өндірушіге немесе оның агентіне апарып ауыстырыңыз.**

### Жеке қауіпсіздік

- Электрлік құралды пайдаланған кезде, жасап жатқан жұмысыңызға қырағылық танытып, мұқият болыңыз.** Шаршағанда немесе есірткі, алкоголь немесе дәрі-дәрмектің әсерінде болған кезде электрлік құралды пайдаланбаңыз. Электрлік құралды пайдалану кезінде сөл ғана аңсыздық таныту ауыр жарақатқа әкелуі мүмкін.
- Жеке қорғаныс құралдарын пайдаланыңыз.** Міндетті түрде қорғаныс көзіңдірігін тағыңыз. Шаңнан қорғайтын маска, сырғанамайтын қорғаныс аяқ киімі, каска немесе құлаққап сияқты қорғаныс жабдықтарын тиісті жағдайларда қолдану жарақаттануды азайтады.
- Кездейсоқ іске қосудың алдын алыңыз.** Құралды қуат көзіне және/немесе аккумулятор блогына қоспас бұрын, оны жинап немесе тасымалдамас бұрын, ауыстырып-қосқыш өшірулі күйде екеніне көз жеткізіңіз. Саусақ электрлік құралдың ауыстырып-қосқышында тұрған кезде оны тасымалдау немесе ауыстырып-қосқышы қосулы электрлік құралды қуат көзіне қосу жазатайым оқиғаға әкел соғуы мүмкін.
- Электрлік құралды қоспас бұрын, реттегіш немесе сомынды бұрайтын кілттерді алып тастаңыз.** Электрлік құралдың айналмалы бөлігінде реттегіш немесе сомынды бұрайтын кілт бекітулі қалса, жарақаттауы мүмкін.
- Тым артық күш салмаңыз.** Әрдайым тұрақты және тепе-теңдік сақтайтын күйде болыңыз. Бұл күтпеген жағдайда электрлік құралды жақсы басқаруға мүмкіндік береді.
- Жұмысқа сай киініңіз.** Бос киім кімеңіз және әшекей тақпаңыз. Шашыңызды және киіміңізді қозғалмалы бөлшектерден алшақ ұстаңыз. Бос киім, әшекейлер немесе ұзын шаш қозғалмалы бөлшектерге ілініп қалуы мүмкін.
- Шаң тұту және жинау құрылғылары қамтамасыз етілген болса, олардың қосулы екендігіне және дұрыс қолданылып жатқанына көз жеткізіңіз.** Шаң жинау құрылғысын пайдалану шаңмен байланысты қауіпті азайтуы мүмкін.

8. Құралды жиі пайдалану нәтижесінде босаңсып, қауіпсіздік қағидаларын елеусіз қалдырмаңыз. Салғырттық таныту бір мезетте ауыр жарақатқа әкеп соқтыруы мүмкін.
9. Электрлік құралды пайдаланған кезде көзіңізді жарақаттап алмау үшін міндетті түрде қорғаныс көзілдірігін тағыңыз. Қорғаныс көзілдіріктері АҚШ-та ANSI Z87.1, Еуропада EN 166 немесе Австралияда/Жаңа Зеландияда AS/NZS 1336 қауіпсіздік стандарттарымен сәйкес келуі керек. Австралияда/Жаңа Зеландияда бетіңізді қорғау үшін қорғаныс маскасын кию заң негізінде талап етіледі.



Құрал пайдаланушылары мен жұмыс аймағындағы басқа да тұлғалардың тиісті қауіпсіздік қорғаныс жабдықтарын пайдалануын қамтамасыз ету жұмыс берушінің жауапкершілігінде.

#### Электрлік құралды пайдалану және күтім жасау

1. Электрлік құралға артық күш түсірмеңіз. Орындалатын жұмысқа сәйкес келетін электрлік құралды пайдаланыңыз. Дұрыс таңдалған электрлік құрал өзіне жүктелген жұмысты жақсы және қауіпсіз істейді.
2. Ауыстырып-қосқышы ақаулы электрлік құралды пайдаланбаңыз. Ауыстырып-қосқышы ақаулы кез келген электрлік құрал қауіп көндіреді және оны жөндеу керек.
3. Кез келген реттеулер жасамас бұрын, керек-жарақтарды ауыстырмас бұрын немесе электрлік құралдарды ұзақ уақытқа сақтамас бұрын, ашаны қуат көзінен ажыратыңыз және/немесе аккумулятор блогы бар болса, оны шығарып алыңыз. Осындай алдын алу шаралары электрлік құралдың кездейсоқ іске қосылу қаупін азайтады.
4. Электрлік құралдарды қатарлардың қолы жетпейтін жерде сақтаңыз, сонымен бірге электрлік құралмен жұмыс істей алмайтын және осы нұсқауларды оқымаған тұлғаларға құралды пайдалануға рұқсат етпеңіз. Арнайы оқытудан өтпеген пайдаланушылар үшін электрлік құрал қауіп төндіреді.
5. Электр құралдарына және керек-жарақтарға техникалық қызмет көрсетіңіз. Қозғалмалы бөлшектердің ауытқуы және оралуы, зақымдалған бөлшектер және электрлік құралдың жұмысына көрі әсер ететін басқа жағдайлардың бар-жоғын тексеріңіз. Зақымы болса, электрлік құралды жөндеген соң бірақ пайдаланыңыз. Жазатайым оқиғалардың көбі электрлік құралдарға дұрыс техникалық қызмет көрсетілмеу себебінен болады.

6. Кесу құралдары өткір және таза болуы керек. Кескіш жиектері өткір кесу құралдарын дұрыс пайдалансаңыз, олар тұрып қалмайды және сол себепті оларды басқару да оңайырақ етеді.
7. Электрлік құралды, керек-жарақтарды және қондырмаларды, т.б. жұмыс жағдайы мен орындалатын жұмысты ескере отырып, осы нұсқауларға сәйкес пайдаланыңыз. Электрлік құралды басқа мақсатта пайдаланған жағдайда, қауіпті жағдай туындауы мүмкін.
8. Тұтқалардың және жұмыс орындалатын беттердің құрғақ, таза және майлы болмауын қамтамасыз етіңіз. Тұтқалар және қолмен ұстайтын беттер тайпақ болса, күтпеген жағдай орын алғанда, құралды пайдалану және оған ие болу мүмкін болмайды.
9. Электрлік құралды пайдаланған кезде, ішіне тартылу матадан жасалған қорғаныс қолғабын кимеңіз. Матадан жасалған қорғаныс қолғаптары қозғалмалы бөлшектерге ілініп қалса, жарақаттауы мүмкін.

#### Қызмет көрсету

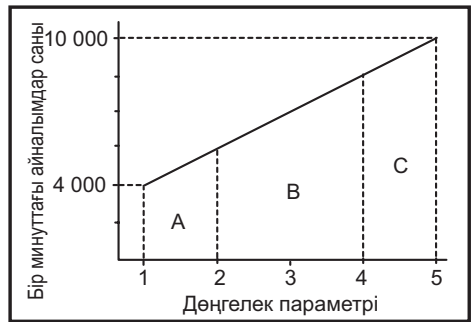
1. Электрлік құралға қызмет көрсетуді тек қаа жөндеу бойынша білікті аман тиісті қосалқы бөлшектерді пайдаланып жүзеге асыруы қажет. Бұл электрлік құралдың қауіпсіздігін қамтамасыз етеді.
2. Керек-жарақтарды майлау және ауыстыру нұсқауын орындаңыз.

### АЖАРЛАҒЫШ МАШИНА ҚАУІПСІЗДІГІ БОЙЫНША ЕСКЕРТУЛЕР

1. Әрдайым қауіпсіздік көзілдірігін немесе қорғаныс көзілдірігін пайдаланыңыз. Қарапайым көзілдірік немесе күннен қорғайтын көзілдірік қорғаныс көзілдірігі болып ТАБЫЛМАЙДЫ.
2. Құралды мықтап ұстаңыз.
3. Құралды қосуды күйде қалдырмаңыз. Құралды тек қолмен ұстап пайдаланыңыз.
4. Құралдың су өткізбейтін қасиеті жоқ, сондықтан өңделетін бетке су тигізбеңіз.
5. Ажарлау жұмыстарын орындаған кезде жұмыс аймағын жақсылап желдетіңіз.
6. Кейбір материалдарда улы болуы мүмкін химиялық заттар бар. Шаң жұтпаңыз және теріге тигізбеңіз. Материал жеткізушісінің қауіпсіздік туралы деректерін қараңыз.
7. Бұл құралды кейбір өнімдерді, бояуларды және ағашты ажарлау үшін пайдаланған кезде пайдаланушы қауіпті заттардан тұратын шаңның астында қалуы мүмкін. Тыныс алу жолдарын қорғайтын тиісті құралдарды пайдаланыңыз.
8. Пайдаланар алдында төсемде жарықтардың немесе сынған жерлердің жоқ екеніне көз жеткізіңіз. Жарықтар немесе сынықтар жарақаттануға себеп болуы мүмкін.

### ОСЫ НҰСҚАУЛАРДЫ САҚТАҢЫЗ.

**⚠️ЕСКЕРТУ:** Бұл өнімді әбден пайдаланып үйренген (қайталап пайдаланғанның нәтижесінде) болсаңыз да, осы өнімді қолдану кезінде қауіпсіздік техникасы ережелерін қатаң түрде САҚТАУ ҚАЖЕТ. Осы пайдалану жөніндегі нұсқаулықта келтірілген қауіпсіздік ережелерін ДҰРЫС ПАЙДАЛАНБАУ немесе орындамау ауыр жарақаттарға әкеп соқтыруы мүмкін.



A ауқымы: жылтырату үшін  
 B ауқымы: ажарлауды аяқтау үшін  
 C ауқымы: стандартты ажарлау үшін

## ФУНКЦИОНАЛДЫҚ СИПАТТАМАСЫ

### ⚠️САҚ БОЛЫҢИЗ:

- Құралдың жұмысын реттемей және тексермей тұрып, оның өшірулі екеніне және тоқтан ажыратылғанына әрдайым көз жеткізіңіз.

### ЕСКЕРТПЕ:

- Жоғарыдағы суретте стандартты қолданис түрлері көрсетілген. Олар кейбір жағдайларда өзгеруі мүмкін.

## Ауыстырып-қосқыш жұмысы

- **Сурет1:** 1. Құлыптау түймесі 2. Ауыстырып-қосқыш шүріппесі

### ⚠️САҚ БОЛЫҢИЗ:

- Құралды қоспас бұрын, әрдайым ауыстырып-қосқыш шүріппесінің дұрыс жұмыс істеп тұрғанына және босатылған кезде "ӨШІРУЛІ" күйіне қайтарылатынына әрқашан көз жеткізіп тұрыңыз.

## ҚҰРАСТЫРУ

### ⚠️САҚ БОЛЫҢИЗ:

- Құралмен жұмыс істемес бұрын, әрдайым құралдың өшірулі екендігіне және ажыратылғандығына көз жеткізіңіз.

## Алдыңғы тұтқа

- **Сурет3:** 1. Кертіктер 2. Алдыңғы тұтқа  
 3. Алдыңғы тұтқадағы саңылау  
 4. Бұрама шегені бұрағыш

Алдыңғы тұтқаны құралға оның шығыңқы бөліктері құралдың алдыңғы жағындағы сәйкес келетін кертіктерге сәйкес келетіндей етіп орнатыңыз. Бұрاندаны алдыңғы тұтқадағы саңылау арқылы қатайту үшін, алдыңғы тұтқаны бұрама шегені бұрағышпен бекітіңіз.

Құралды іске қосу үшін жай ғана ауыстырып-қосқыш шүріппесін тартыңыз. Тоқтату үшін ауыстырып-қосқыш шүріппесін жіберіңіз. Үздіксіз жұмыс істеу үшін ауыстырып-қосқыш шүріппесін тартып, құлыптау түймесін басыңыз. Құралды құлыпталған күйден шығару үшін, ауыстырып-қосқыш шүріппесін толығымен тартып, босатыңыз.

## Ысқыш дискіні орнату немесе алып тастау

- **Сурет4:** 1. Ысқыш диск

### ⚠️САҚ БОЛЫҢИЗ:

- Ысқыш дискілердің әрдайым жабысқақ ілмек жүйесін пайдаланыңыз. Қысымға сезімтал ысқыш дискілерді пайдаланбаңыз.

## Жылдамдық реттегіш дөңгелек

- **Сурет2:** 1. Жылдамдық реттегіш дөңгелек

Айналу жылдамдығын жылдамдық реттегіш дөңгелекті берілген 1-ден 5-ке дейінгі санға бұрау арқылы өзгертуге болады.

Жылдамдық дөңгелек бағыты 5 санына бұралған кезде артады. Ал 1 санына бұралған кезде төмендейді.

Дөңгелек реттегіштегі нөмір реттеулері мен шамаланған айналу жылдамдығы арасындағы байланысты кестеден қараңыз.

Ысқыш дискіні орнатпас бұрын төсемді кірден немесе бөгде заттардан тазалаңыз. Содан кейін ысқыш дискінің жабысқақ ілмек жүйесін және төсемді пайдаланып, ысқыш дискіні төсемге бекітіңіз. Ысқыш дискідегі саңылауларды төсемдегі саңылаулармен мұқият туралаңыз. Дискіні төсемнен алып тастау үшін, жай ғана шетінен тартып алыңыз.

## Төсемді ауыстыру

► **Сурет5:** 1. Алты қырлы кілт 2. Бұранда 3. Төсем

Makita компаниясы қосымша төсемдердің кең ауқымын ұсынады. Бұранданы негіздің ортасынан алты қырлы кілтті сағат тіліне қарсы бағытта бұрау арқылы алып тастаңыз. Төсемді ауыстырғаннан кейін, бұранданы сағат тілінің бағытымен мықтап бекітіңіз.

## Шаң қапшығын орнату

► **Сурет6:** 1. Шаң жүретін мойын 2. Шаң қапшығы

Шаң қапшығын құралға шаң жүретін мойында көрсетілген "ЖОҒАРЫ" көрсеткісі жоғары қарайтындай етіп орнатыңыз.

## Шаң қапшығын босату

► **Сурет7:** 1. Шаң жүретін мойын 2. Баспа түйме

► **Сурет8:** 1. Ілмек 2. Шаң жүретін мойын 3. Шаң қапшығы 4. Баспа түйме

Шаң қапшығы шамамен жартылай толық болғанда, құралды өшіріп, желіден ажыратыңыз. Құралды ұстап тұрғанда, баспа түймені басып тұрып, шаң қапшығын шаң жүретін мойыннан алыңыз. Шаң қапшығын босатқаннан кейін, шаң жүретін мойындағы ілмекті шаң қапшығы жақтауының бір жағындағы тік бұрышты тесікке салыңыз да, шаң қапшығының жақтауын баспа түйменің ішіне түскенше көтеріңіз.

► **Сурет9**

## Қағаз шаң қапшығын орнату (қосымша керек-жарақ)

► **Сурет10:** 1. Ойық 2. Алдыңғы бекіту картоны 3. Қағаз шаң қапшығының алдыңғы жағы

Қағаз шаң қапшығының алдыңғы жағын жоғары қаратып, қағаз шаң қапшығының ұстағышына орналастырыңыз. Қағаз шаң қапшығының алдыңғы бекіту картонын қағаз шаң қапшығы ұстағышының ойығына енгізіңіз.

Алдыңғы бекіту картонын тырнақшаларға ілу үшін оның жоғарғы бөлігін көрсеткі бағытымен басыңыз.

► **Сурет11:** 1. Тырнақшалар 2. Жоғарғы бөлігі

Қағаз шаң қапшығының кертiгiн қағаз шаң қапшығы ұстағышының бағыттауышына енгізіңіз. Содан кейін қағаз шаң қапшығы ұстағышының жинағын құралға орнатыңыз.

► **Сурет12:** 1. Кертiк 2. Бағыттауыш

► **Сурет13**

## ПАЙДАЛАНУ

### Ажарлау жұмыстары

► **Сурет14**

#### ▲ **САҚ БОЛЫҢЫЗ:**

- Құрал өңделетін бөлшекпен жанасқан кезде, оны іске қосуға болмайды, себебі операторды жарақаттауы мүмкін.
- Құралды ысқыш дискісіз ешқашан пайдаланбаңыз. Төсемді қатты зақымдауыңыз мүмкін.
- Құралға ешқашан күш түсірмеңіз. Шамадан тыс қысым ажарлау тиімділігін төмендетуі, ысқыш дискіні зақымдауы немесе құралдың қызмет мерзімін қысқартуы мүмкін.

Құралды мықтап ұстаңыз. Құралды іске қосыңыз және ол толық жылдамдыққа жеткенше күтіңіз. Содан кейін құралды өңделетін бөлшектің бетіне мұқият орналастырыңыз. Төсемді өңделетін бөлшекпен беттестіріп ұстаңыз және құралға аздап қысым түсіріңіз.

### Жылтырату жұмыстары

#### ▲ **САҚ БОЛЫҢЫЗ:**

- Makita түпнұсқа сорғыш төсемін, киіз төсемін немесе жүн төсемін (қосымша керек-жарақтар) пайдаланыңыз.
- Жұмыс беттерінің зақымдануына/күйіп кетуіне жол бермеу үшін құралды әрдайым төмен жылдамдықпен пайдаланыңыз.
- Құралға ешқашан күш түсірмеңіз. Шамадан тыс қысым түсіру жылтырату тиімділігін төмендетіп, моторға артық жүктеме түсіреді, нәтижесінде құрал ақауларының туындауына әкеледі.

### 1. Балауыз қолдану

► **Сурет15:** 1. Сорғыш төсем

Қосымша сорғыш төсемді пайдаланыңыз. Сорғыш төсемге немесе жұмыс бетіне балауыз жағыңыз. Балауызды тегістеу үшін құралды төмен жылдамдықпен пайдаланыңыз.

#### ЕСКЕРТПЕ:

- Құралдың жұмыс бетін жырмайтынына немесе балауызды тегіс жағатынына көз жеткізу үшін алдымен жұмыс бетінің маңызды емес бөлігін жылтыратып көріңіз.

### 2. Балауызды кетіру

► **Сурет16:** 1. Киіз төсем

Қосымша киіз төсемді пайдаланыңыз. Балауызды кетіру үшін құралды төмен жылдамдықпен пайдаланыңыз.

### 3. Жылтырату

► **Сурет17:** 1. Жүн төсем

Қосымша жүн төсемді пайдаланыңыз. Құралды төмен жылдамдықпен іске қосып, жүн төсемді жұмыс бетімен ақырын жүргізіңіз.

# ТЕХНИКАЛЫҚ ҚЫЗМЕТ КӨРСЕТУ

## **⚠САҚ БОЛЫҢЫЗ:**

- Тексеру немесе техникалық қызмет көрсету жұмыстарын жүргізбес бұрын, әрдайым құралдың өшірулі екеніне және желіден ажыратылғанына көз жеткізіңіз.
- Жанармайды, бензинді, сұйылтқышты, спиртті немесе соған ұқсас заттарды ешқашан пайдаланбаңыз. Нәтижесінде құралдың түссізденуі, бүлінуі немесе онда жарықтар пайда болуы мүмкін.

Өнімнің ҚАУІПСІЗДІГІ мен СЕНІМДІЛІГІН қамтамасыз ету үшін жөндеу жұмыстары, графитті қылшақты тексеру және алмастыру, кез келген басқа техникалық қызмет көрсету немесе реттеу жұмыстары Makita компаниясының өкілетті қызмет көрсету орталықтары тарапынан (Makita қосалқы бөлшектерін қолдана отырып) орындалуы керек.

# ҚОСЫМША КЕРЕК-ЖАРАҚТАР

## **⚠САҚ БОЛЫҢЫЗ:**

- Бұл керек-жарақтар мен қондырмаларды осы нұсқаулықта көрсетілген Makita құралымен бірге пайдаланған дұрыс. Басқа керек-жарақтар мен қондырмаларды пайдалану адамдардың жарақаттануына әкелуі мүмкін. Керек-жарақты немесе қондырманы тек мақсатына сәйкес пайдаланыңыз.

Осы керек-жарақтар туралы қосымша мәлімет алу үшін көмек қажет болса, жергілікті Makita қызмет көрсету орталығына хабарласыңыз.

- Жабысқақ ілмек түріндегі ысқыш дискілер (алдын ала тесілген саңылаулары бар)
- Жабысқақ ілмек түріндегі сорғыш төсем
- Жабысқақ ілмек түріндегі киіз төсем
- Жабысқақ ілмек түріндегі жүн төсем
- Ажарлау матасы
- Қағаз шаң қапшығы
- Қағаз шаң қапшығының ұстағышы
- 150-төсем

## **ЕСКЕРТПЕ:**

- Тізімдегі кейбір элементтер стандартты керек-жарақтар ретінде құралдың қаптамасында болуы мүмкін. Олар әр елде әртүрлі болуы мүмкін.





**Makita Europe N.V.** Jan-Baptist Vinkstraat 2,  
3070 Kortenberg, Belgium

**Makita Corporation** 3-11-8, Sumiyoshi-cho,  
Anjo, Aichi 446-8502 Japan

[www.makita.com](http://www.makita.com)

884354-784 EN, RU, KK 20190905
--------------------------------------